

Daniel Moynagh
Faculty Advisor: Dr. Houser

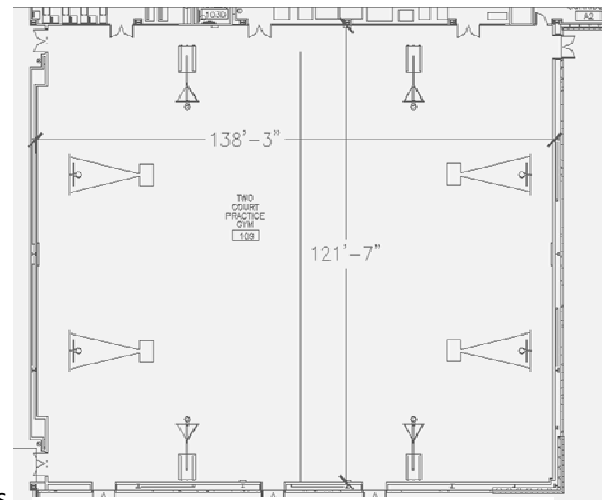
September 11, 2009
Lighting/Electrical Option

Virginia Tech Basketball Practice Facility

Blacksburg, VA

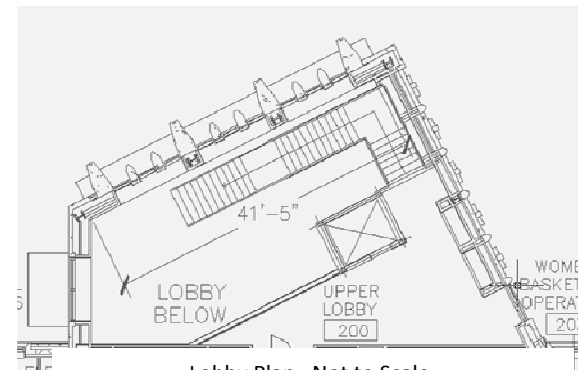
Lighting Proposal Memo

The first of the spaces that I will analyze is the gymnasium, which is a large work space. The gymnasium is largest space in the building and features two full sized basketball courts, used for practice for both the men and women's intercollegiate basketball teams. The floor of the gymnasium is hardwood, with regulation basketball court lines and graphics painted on it. The walls are gypsum board painted white, with graphic designs running around the perimeter of the gym. The ceiling is exposed structural steel painted white, and measures 34'-0" from the floor to the top of the structural steel. The primary task for this space is basketball playing, which is a multidirectional aerial sport. There are no areas for bleachers, so there is no need to consider the conditions for spectators. The coaches' offices on the second level have balconies that overlook the courts where the coaches can oversee practices, so their view of the court is important.



Basketball Practice Gymnasium. Not to Scale.

The second space to be considered is the lobby, which is the primary circulation space for the facility. The lobby is a two story space, organized around the large staircase and elevator. The lobby divides the circulation of the facility, as upstairs is primarily filled with coaching and administrative offices while the first level is primarily for the players. The lobby floor and staircase are carpeted. The north wall is gypsum wall board painted white, and each of the other walls features graphics of different basketball scenes. At the base of the elevator shaft is a section of stone masonry. The ceiling is white painted gypsum board, 26'-0" from the floor level. The tasks of the lobby are orientation and way finding, as it is the main transitional space from exterior to interior.

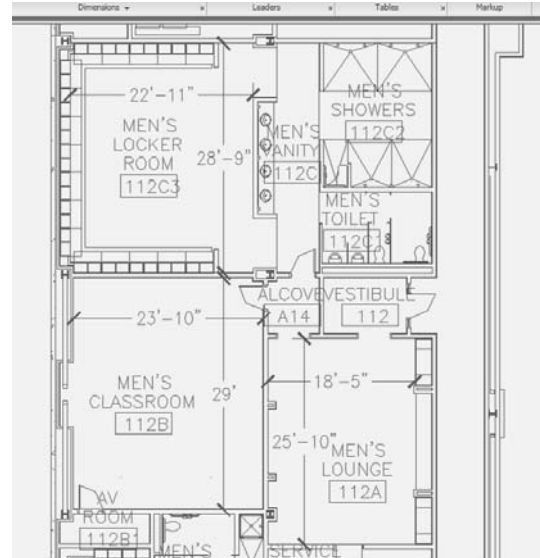


Lobby Plan. Not to Scale.

The third space is the area designated for the men's basketball team, including the locker room, classroom, and lounge. This is the space that plan on using to study the psychological effects of lighting, particularly the contrast between relaxation and tension. For times before and after practice, the mood of the locker room is often of relaxation, while on the days of games the mood is often tense and focused.

The walls of the locker room and lounge area are wood paneled, with carpeting on the floor and an ACT ceiling system. The classroom area has white painted gypsum walls, with carpeted floor and an ACT ceiling.

The final space I will study is the front façade the building exterior. For this is the space I intend to develop three different schematic design concepts. The façade is a combination of masonry stone construction and architectural precast concrete. There are many possible lighting concepts for this façade because of the way that the materials are geometrically incorporated. This façade is important because it orients visitors the main entrance to the building.



Men's Basketball Area. Not to scale.



Rendering of Entrance Façade.